

BEACON ELITE

400

HOURS OF RESEARCH

360

DEGREES OF LIGHTING

620

NITS OF BRIGHTNESS

10

UNIQUE LIGHT SOURCES

4

UNIT DIAMOND BANK

100

PERCENT INTENTIONAL



MERCH PACK

Overhead Sign
Strata LED Dividers
Fresnel Lens

BEACON

Screens

4K Resolution
49" Screen
620 Nits
Near-Zero Bezel
27" Topper

Button Deck

BQn Gel Bash Buttons
USB Charging
17.18" Button Deck

Lighting

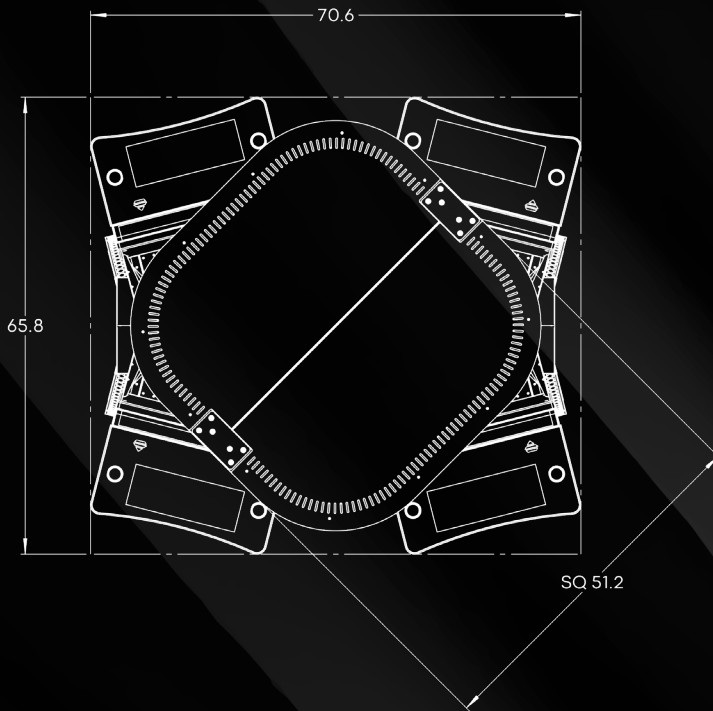
360-Degree BQn Lighting
BQn Wing Lights

Serviceability

Easy-to-Service
Componentless Behind Monitor
Modular Button Deck
On-board Progressive Controller



BEACON ELITE

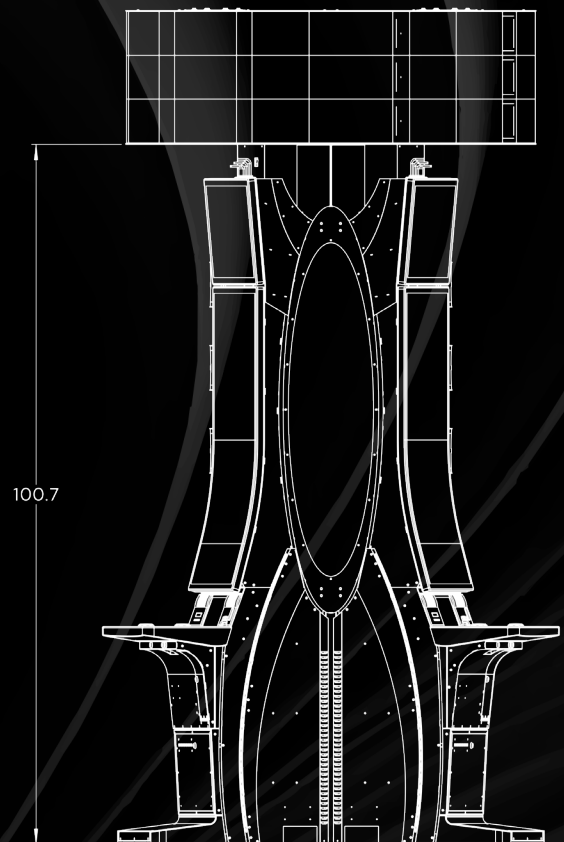
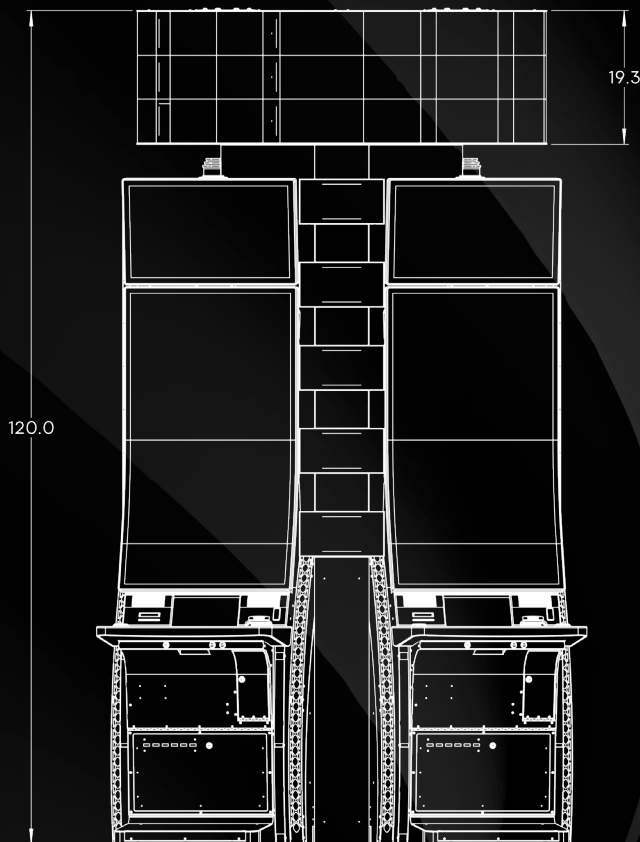


POWER

Sign Consumption 13.49A

Cabinet Consumption 15.00A

Total Bank Consumption 28.49A



*Measurements in inches.