

BLUBERI BEACON

Topper Replacement

Version
1.0.0

Department
TEC-EL-04229

Creation date
2024-09-27

Audience
Field Service Technicians
Casino Technicians

CONFIDENTIAL

Version History

Version	Department	Initials	Date	Comments
1.0.0	Field Service	BC	2024-10-01	- Initial Draft
				-
				-

Version History	2
1. Introduction.....	4
2. Material Required.....	4
3. Tools Required	4
4. Topper Removal	4
4.1. Open The Main door.....	4
4.2. Power off the EGM.....	5
4.3. Remove the Topper	6
5. Topper Support Post Removal.....	8
5.1. Unplug the candle light.....	8
5.2. Remove the Topper Support Post.....	9
6. Topper Support Post Installation	10
6.1. Installing the Support Post.....	10
7. Topper Installation	12
7.1. Plug in the Topper	12
7.2. Install the Topper into the Support Post.....	13
8. Testing.....	14
Contact Us.....	15

1. Introduction

This document intends to guide a Bluberi field service technician or casino slot technician on how to install/replace a Bluberi Beacon Topper.

2. Material Required

To replace a topper, you will need a replacement topper. The part numbers are below depending on if it's a Beacon Plus or Beacon Elite.

- Beacon Plus - 204435
- Beacon Elite - 204430

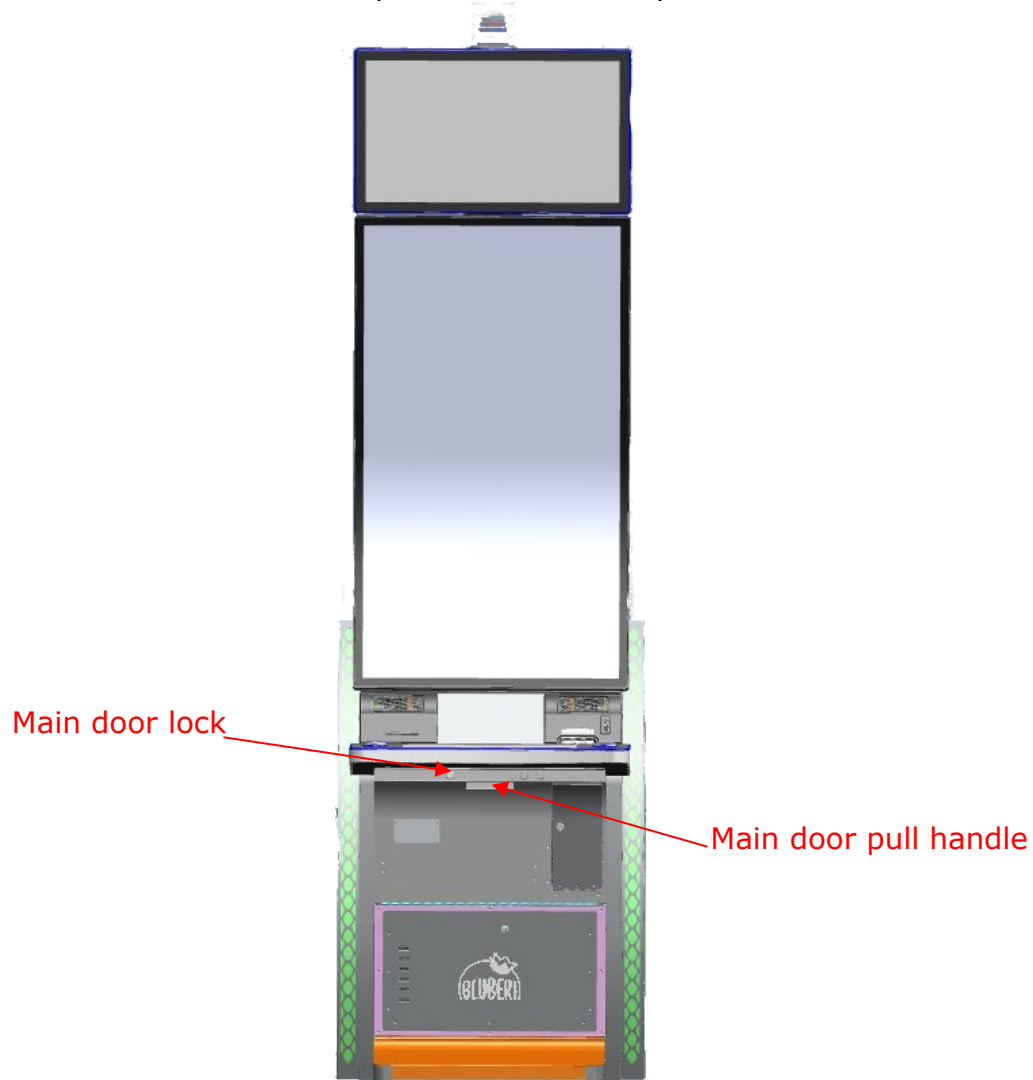
3. Tools Required

- 3/8 socket with an impact setup, ratchet setup, or a 3/8 nut driver.

4. Topper Removal

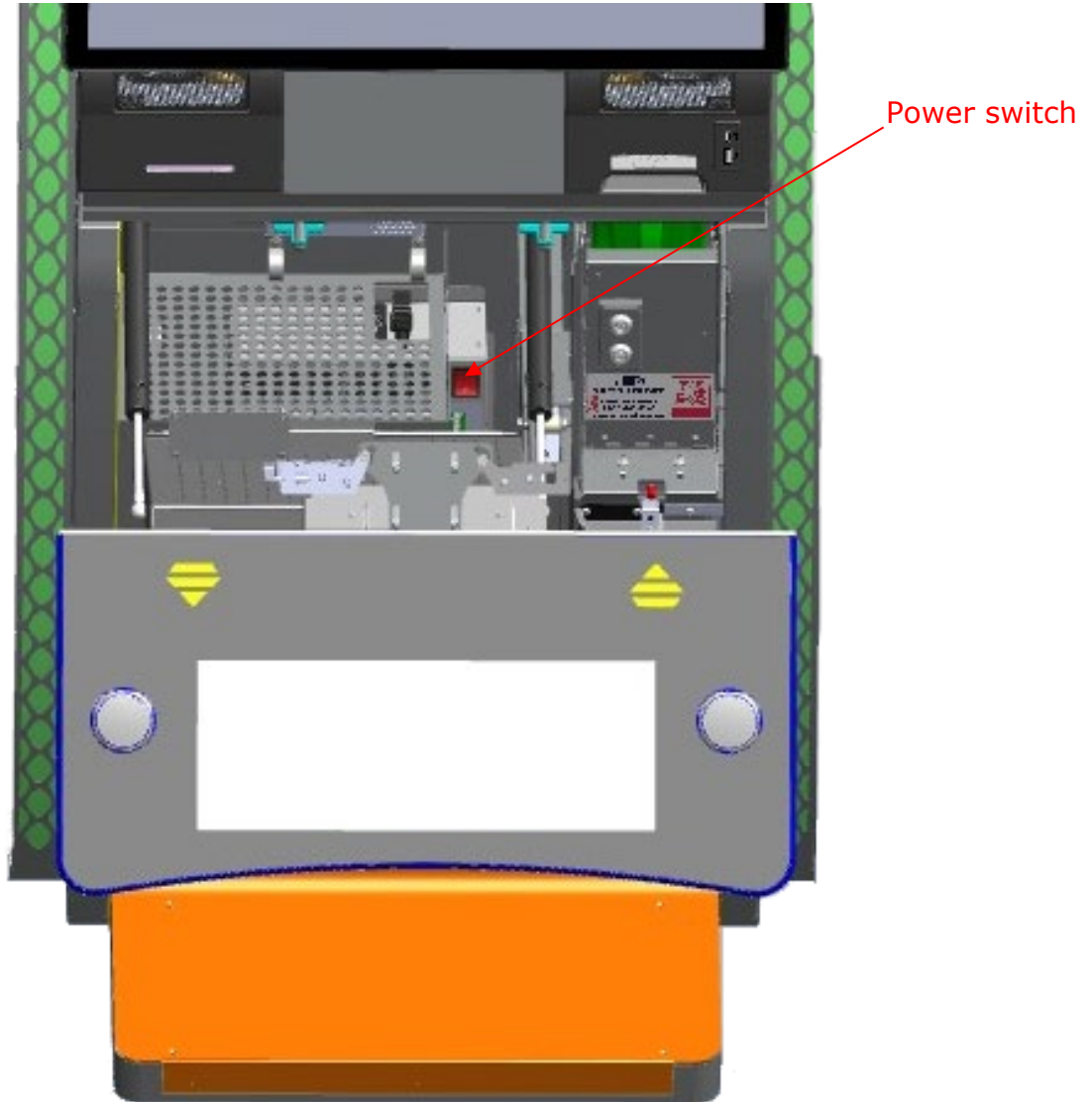
4.1. Open The Main door

- Unlock the main door and pull the main door pull handle to unlatch.



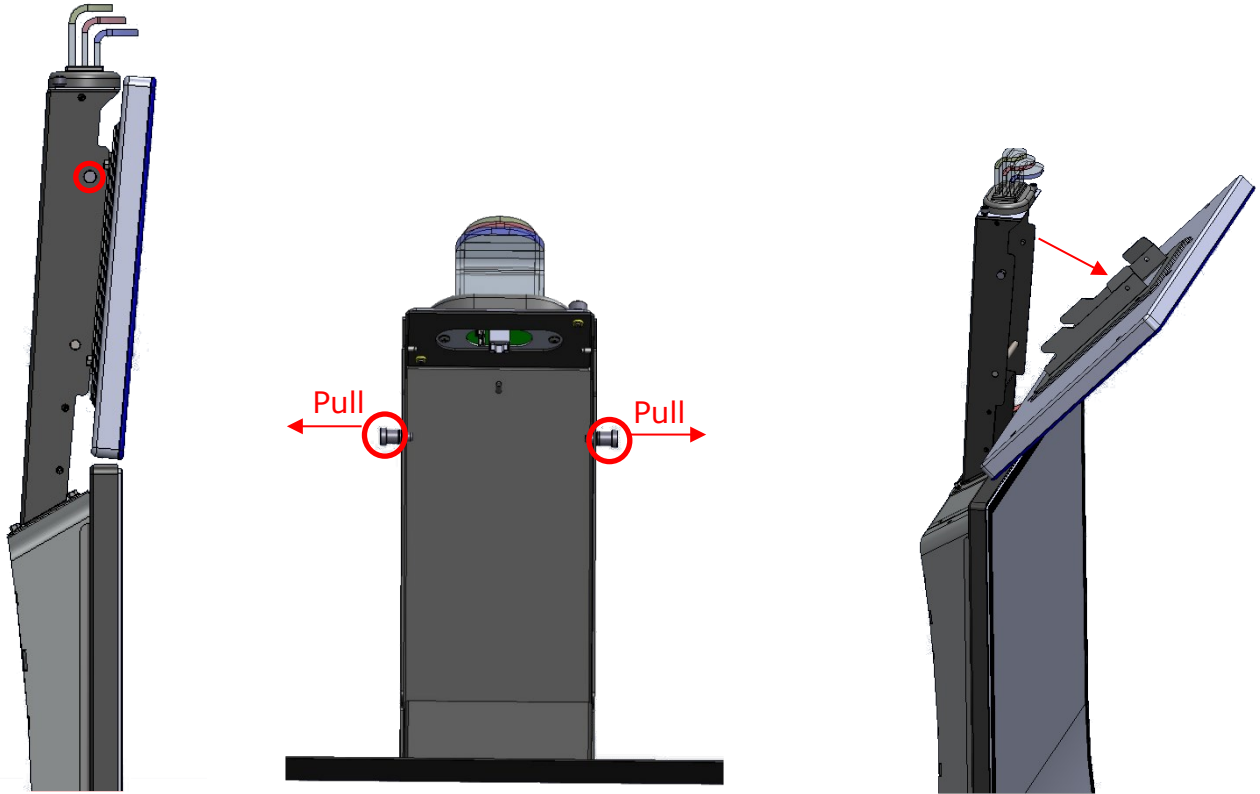
4.2. Power off the EGM

- With the main door open, power off the PDU by switching off the power switch.

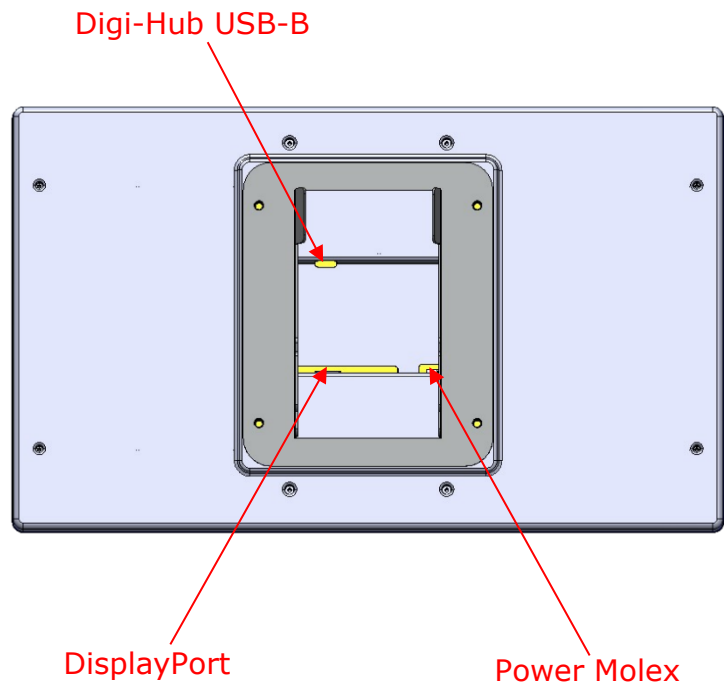
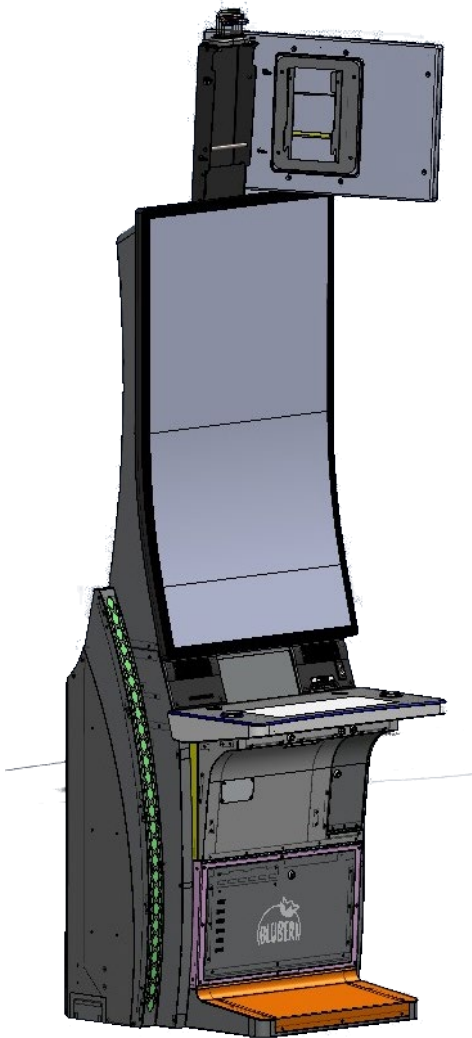


4.3. Remove the Topper

- Pull on the two spring loaded plungers to unlatch the topper.
- Pull on the topper outward to remove it from the topper support post.



- Rest the topper sideways on top of the main monitor, securing it with one hand. With your other hand, unplug the topper's power, DisplayPort, and Digi-Hub USB-B cables.

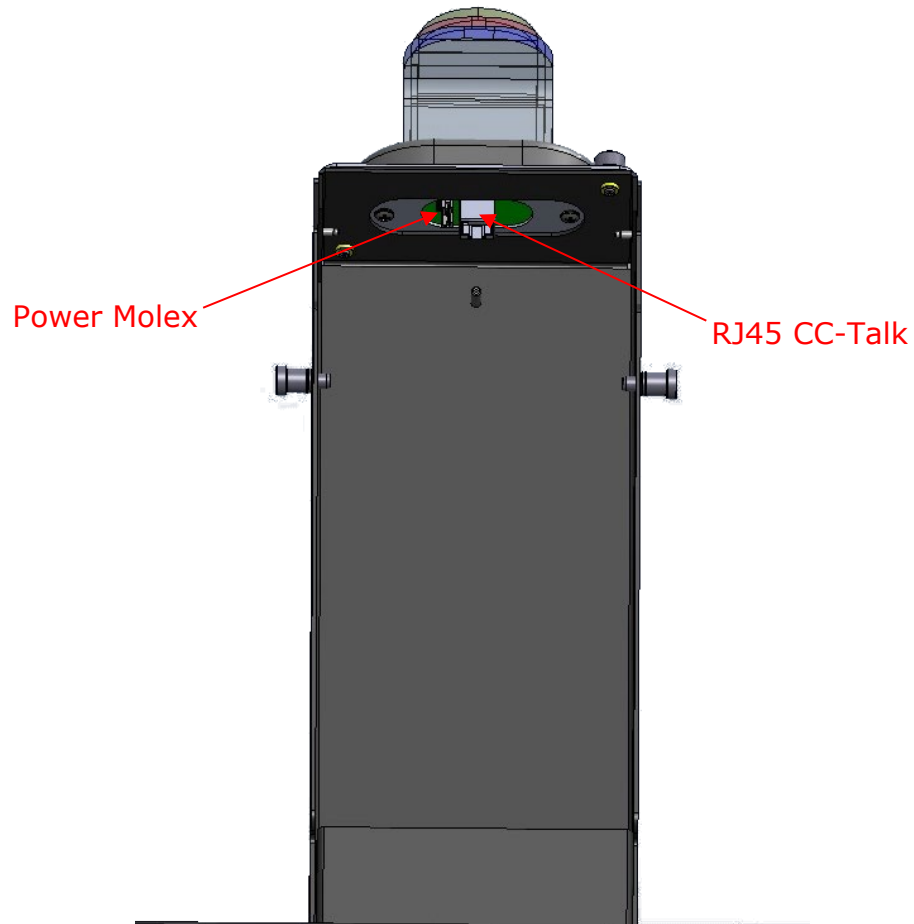


- You can now fully remove the topper from the EGM.

5. Topper Support Post Removal

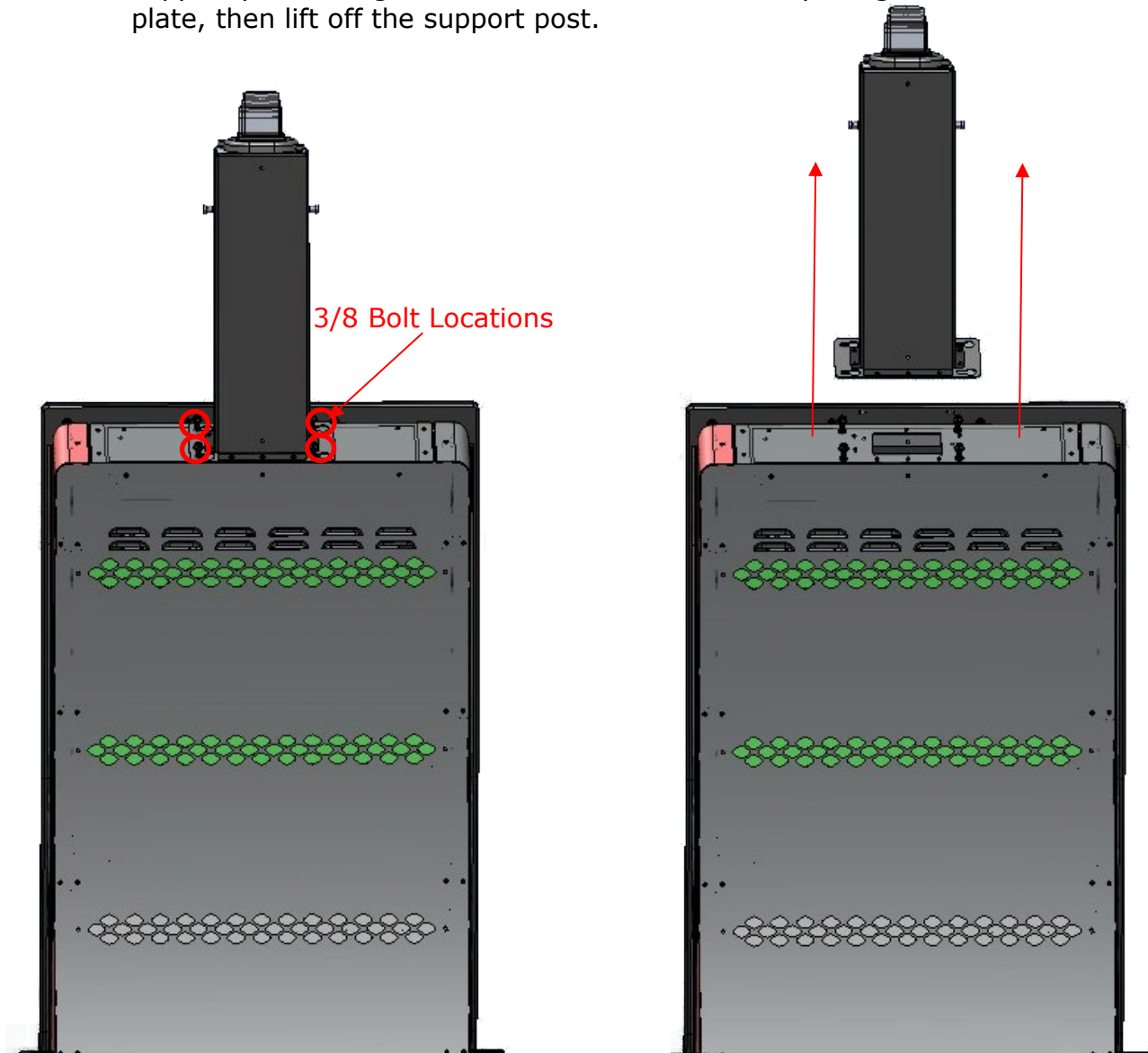
5.1. Unplug the candle light

- Unplug the RJ45 CC-Talk connection and the power Molex.



5.2. Remove the Topper Support Post

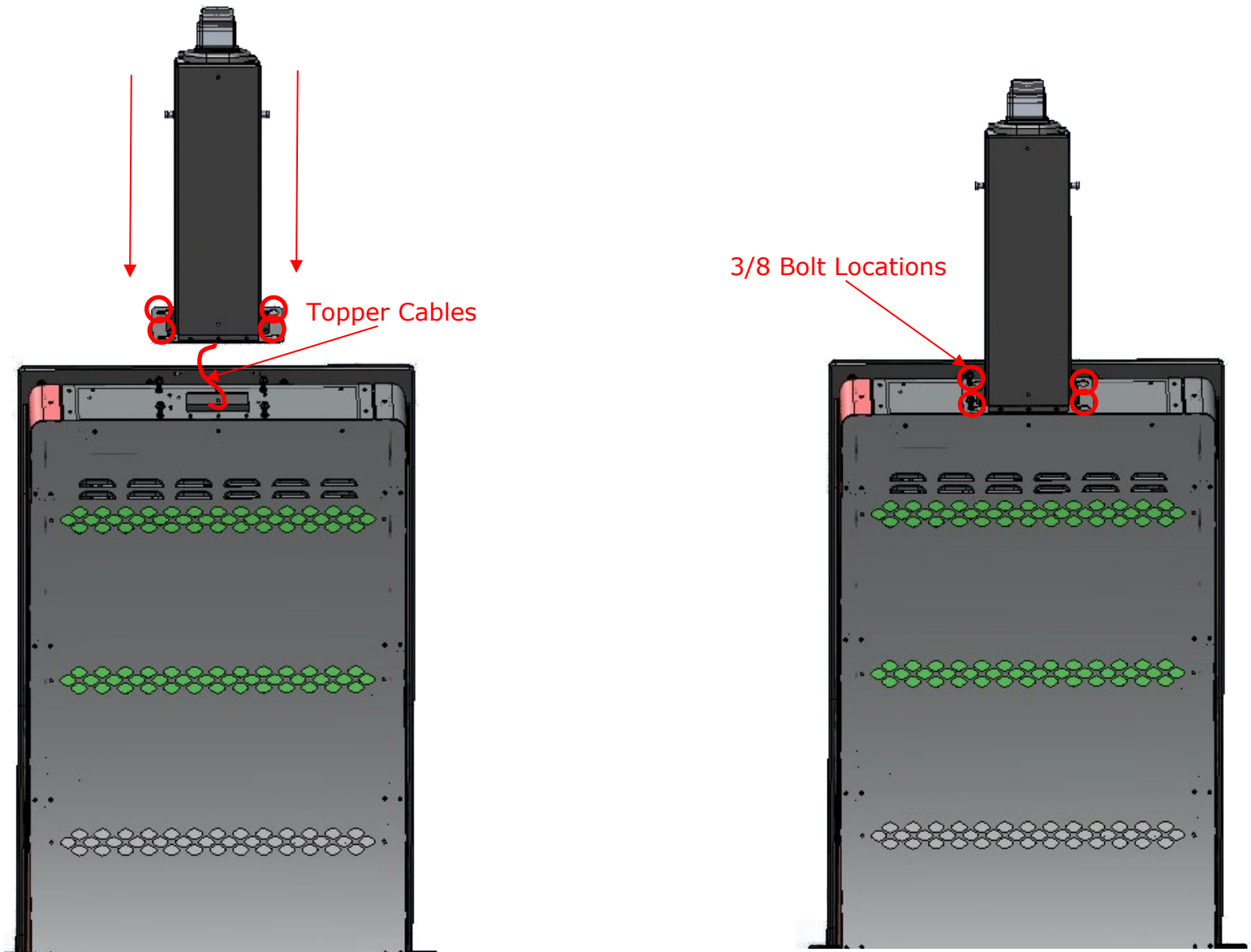
- Loosen the four 3/8 bolts securing the topper support post to the top of the EGM. There is no need to remove them completely. Slide the support post to align the bolts with the allocated openings on the base plate, then lift off the support post.



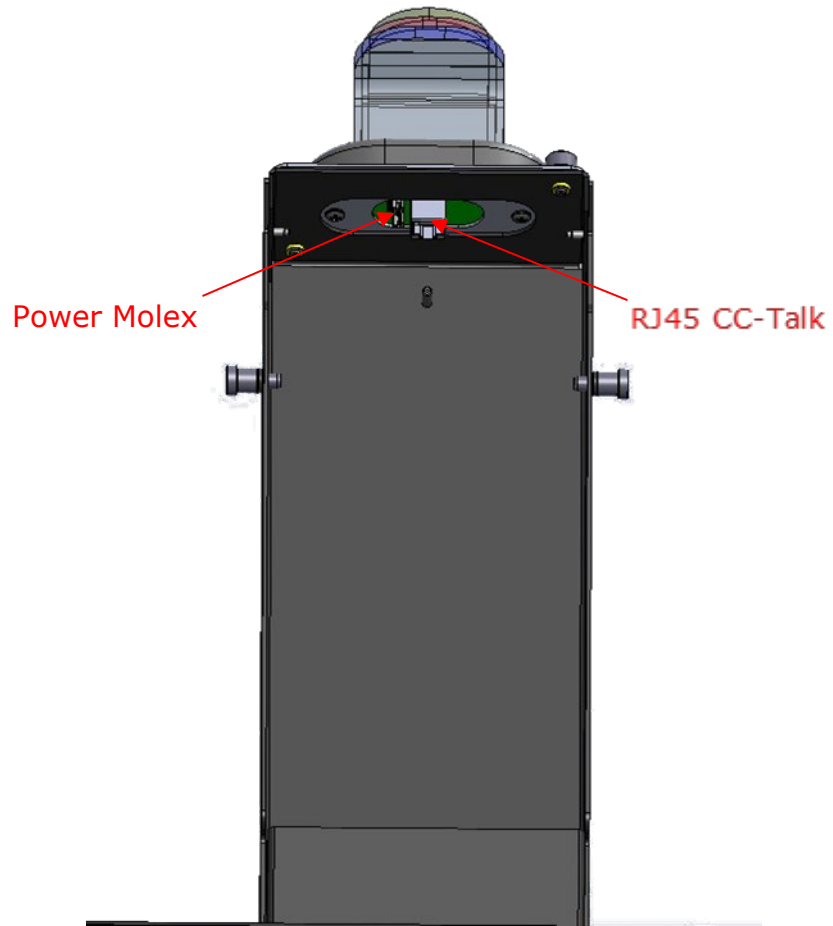
6. Topper Support Post Installation

6.1. Installing the Support Post

- Guide all the topper cables through the support post and set the support post on top of the machine guiding the 3/8 bolts into the allocated holes on the support post base.
- Tighten the four 3/8 bolts to secure the support post.



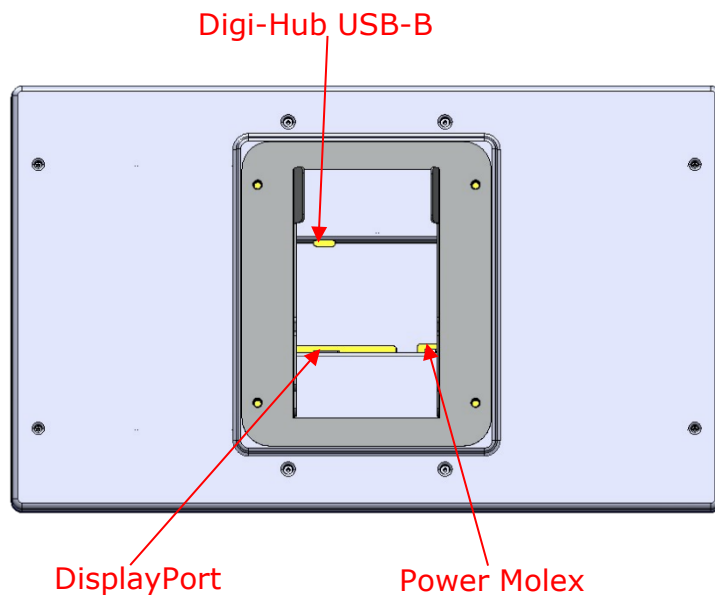
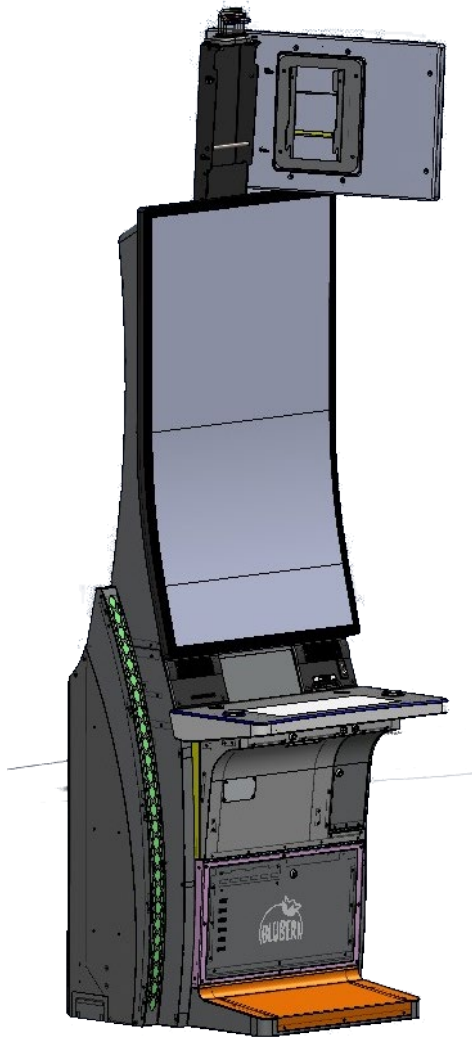
- Plug in the candle light power and RJ45 CC-Talk connections.



7. Topper Installation

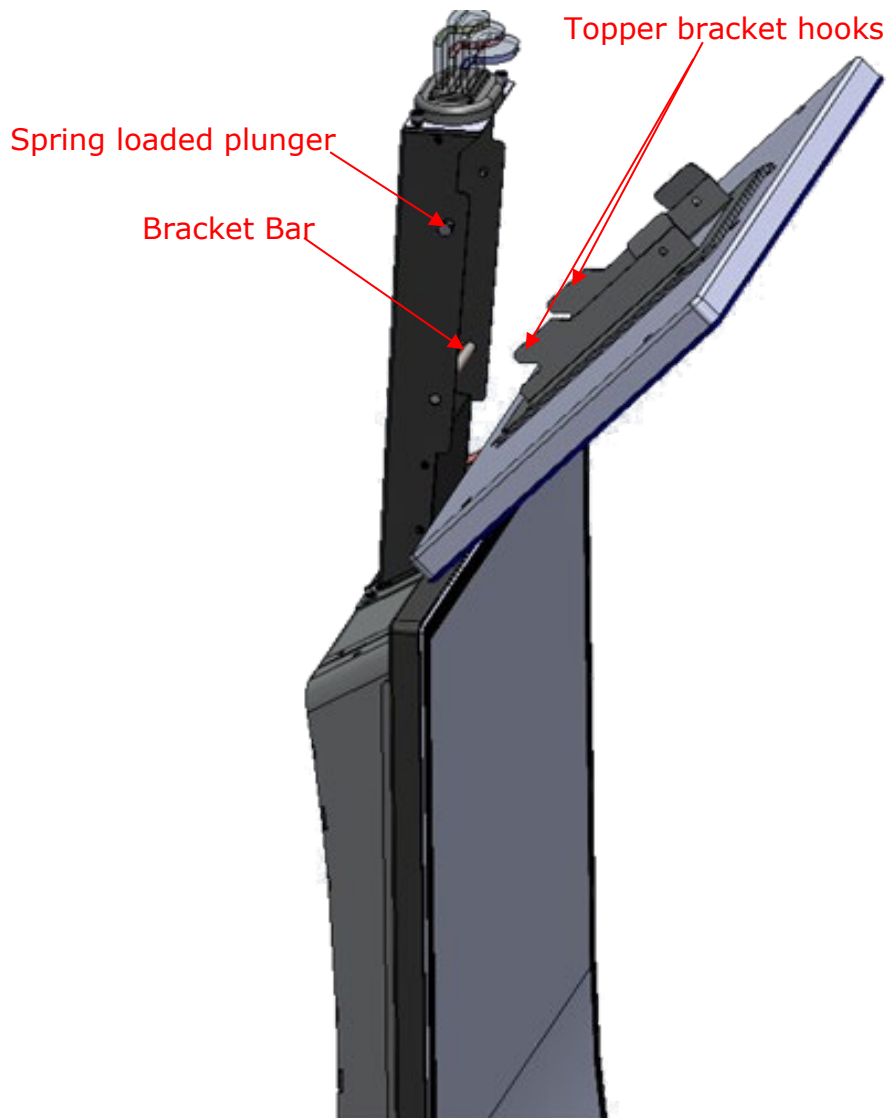
7.1. Plug in the Topper

- Rest the topper sideways on top of the main monitor, securing it with one hand. With your other hand, plug in the topper's power, DisplayPort, and Digi-Hub USB-B cables.

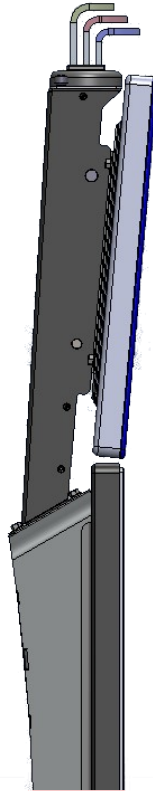


7.2. Install the Topper into the Support Post

- Install the topper onto the support post by aligning the hooking points on the topper mount with the bracket bar inside the support post. Ensure the topper bracket fits inside the support post on both sides. Once hooked, push the topper upward, and it will automatically lock into place with the spring-loaded plungers.

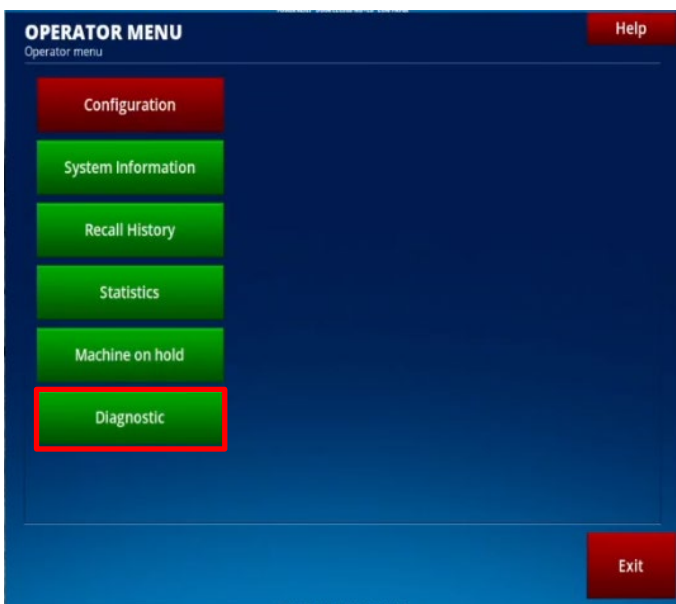


- Once the topper is locked into place installation is finished and ready for testing.



8. Testing

- Power on the EGM and allow it to boot fully.
- Navigate to the diagnostic menu and select Monitor Adjust. In the Monitor Adjust menu, verify that the video and color are displaying correctly
- In the diagnostic menu, go to the Digi-Led section and select Cycle All to ensure the topper LEDs sync with the rest of the cabinet.



Contact Us

If you have any questions, comment or feedback, please use the contact details provided below.

Head office
6335 W. Maule Avenue, Suite 120 Las Vegas, NV 89118
United States

Phone: 1-800-720-5155
General inquiries: info@bluberi.com



© 2024 Bluberi Gaming Canada Inc.

All rights reserved. No part of this document may be reproduced, in any form or by any means, without prior written authorization from Bluberi Gaming Canada Inc.

The information contained in this document represents the current view of Bluberi on the issues discussed as of the date of publication. Because Bluberi must respond to changing market conditions, the comprised information should not be interpreted as a commitment on the part of Bluberi, and Bluberi does not guarantee the accuracy of any presented information.

This document is for informational purposes only. BLUBERI MAKES NO WARRANTIES, EXPRESSED OR IMPLIED, IN THIS DOCUMENT.

Other product and company names mentioned herein may be the trademarks of their respective owners.