

27" TOPPER INSTALLATION AND REMOVAL

Novus B49 3.0

Version

1.0.0

Department

TEC-EL-04229

Creation date

2024-08-05

Audience

Field Service Technicians



Version History

| Version | Department | Initials | Date | Comments |
|---------|---------------|----------|-----------|-------------|
| 1.0.0 | Field Service | BC | 4/24/2024 | First Draft |
| | | | | |
| | | | | |

Contents

| | |
|----------------------------------|-----------|
| Version History | 2 |
| 1. Introduction..... | 4 |
| 2. Material Required..... | 4 |
| 3. Tools Required | 4 |
| 4. Removal | 4 |
| 5. Installation | 8 |
| Contact Us..... | 10 |

1. Introduction

This document intends to guide a Bluberi field service technician or casino Slot Technician on how to install/replace a Novus B49 3.0 27" Topper Assembly.

2. Material Required

- 27" Topper
- Topper Mount
- Eight 1/4"-20 x 3/4 bolts (3/8 hex head from factory)

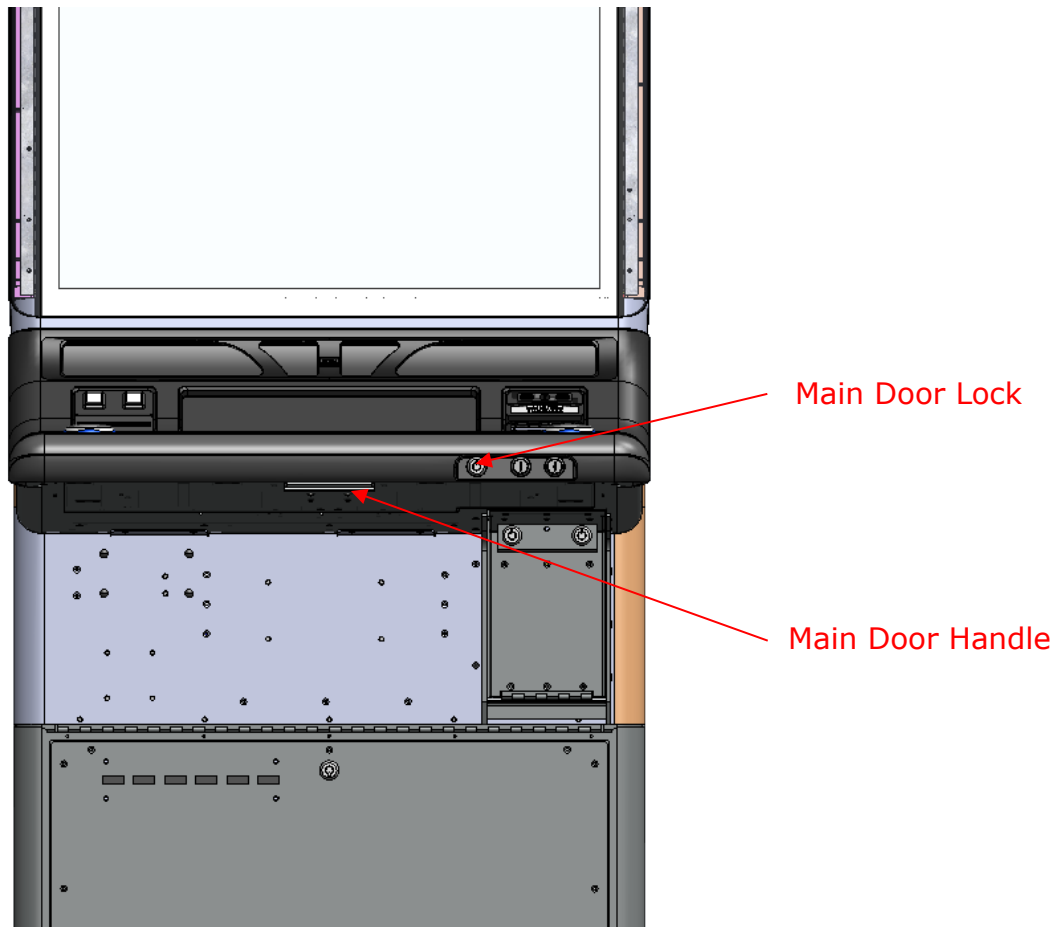
3. Tools Required

- 3/8 socket connected to a ratchet or impact setup.

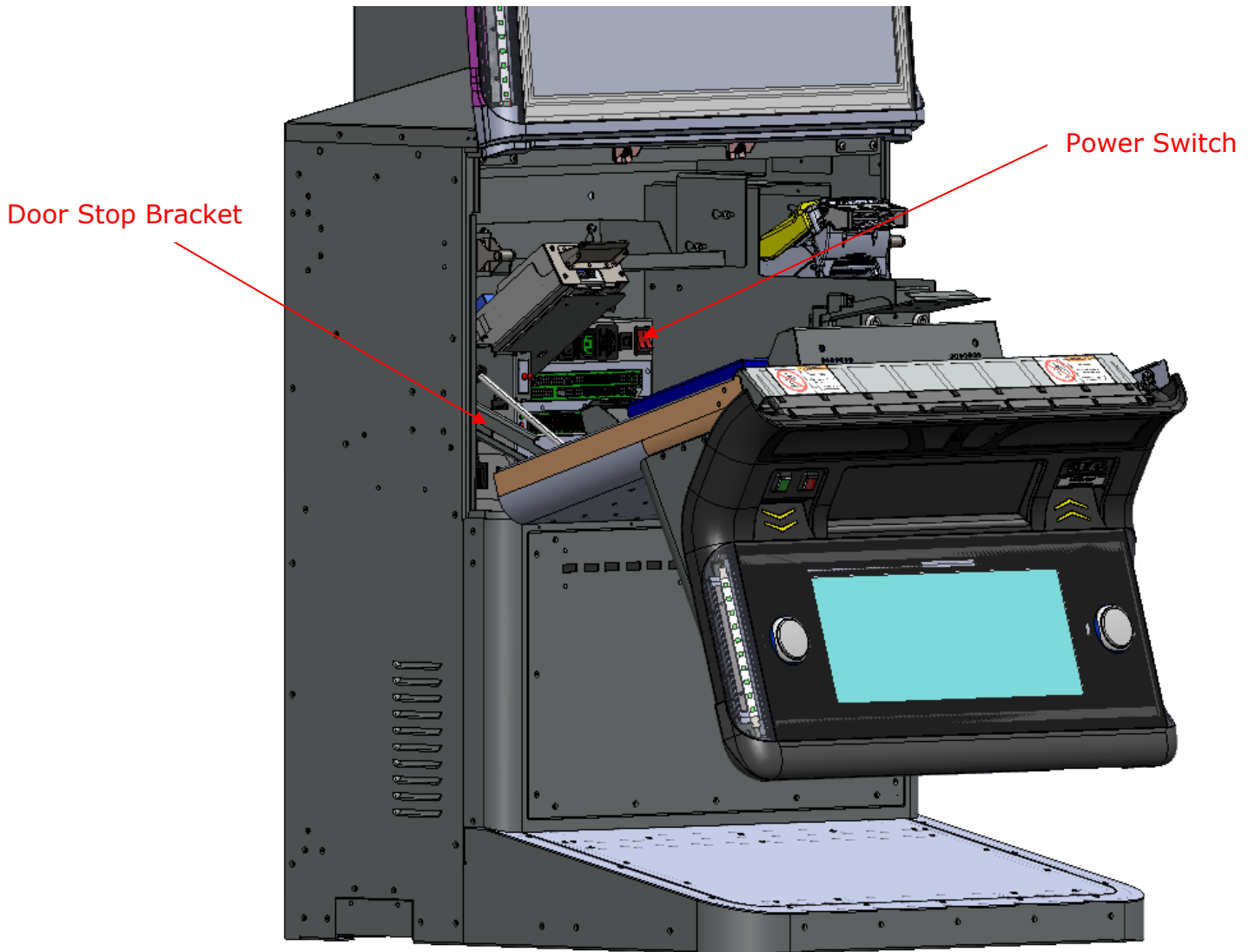
4. Removal

4.1. Open The Main Door

- Turn the main door lock clockwise to unlock it.
- Once unlocked, pull on the main door handle to open it partially.



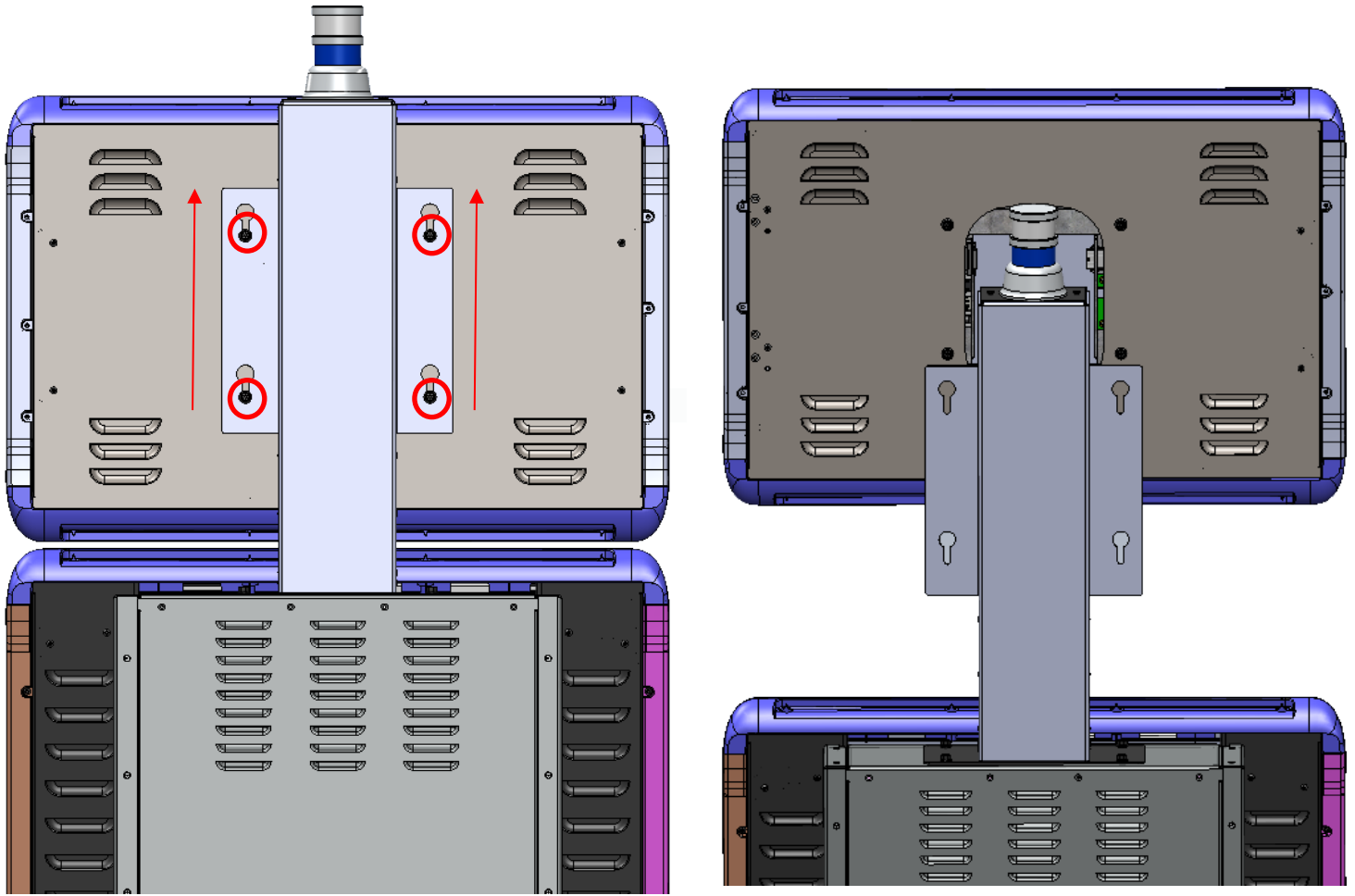
- To fully open the main door, push the door stop bracket inward towards the inside of the machine while lifting the door up a few inches. Once the bracket is pushed in, lower the main door completely.



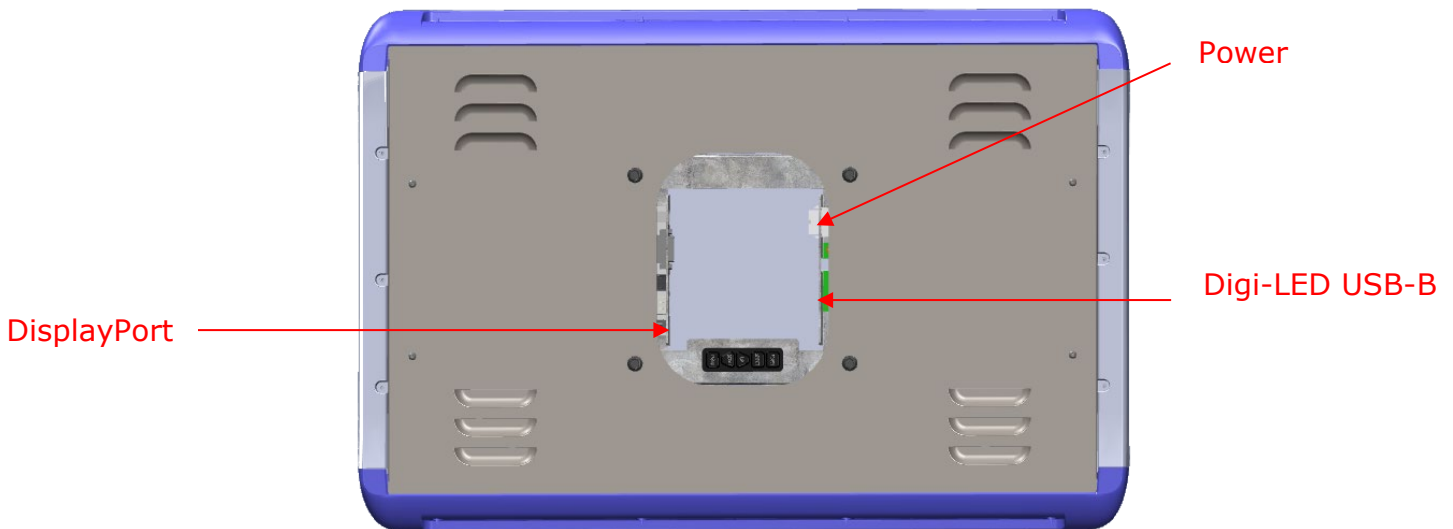
4.2. Power Down the Machine

- Power down the machine by switching off the power switch on the Power Distribution Unit

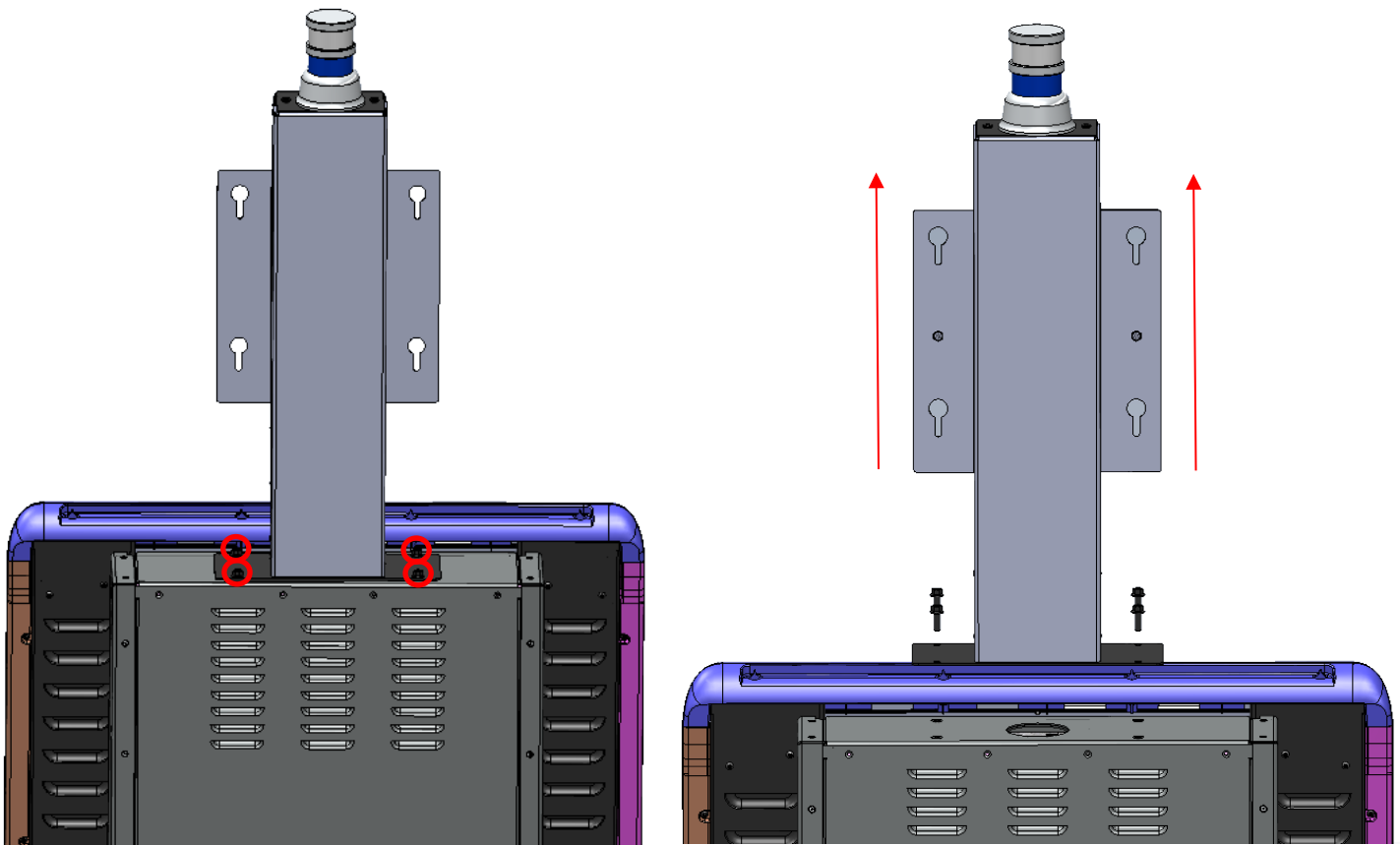
4.3. Remove the Topper



- loosen the four 3/8 bolts on the back of the topper without removing them.
- Lift the topper off by lifting it off the bracket and disconnecting the DisplayPort, Digi-LED USB-B and power .



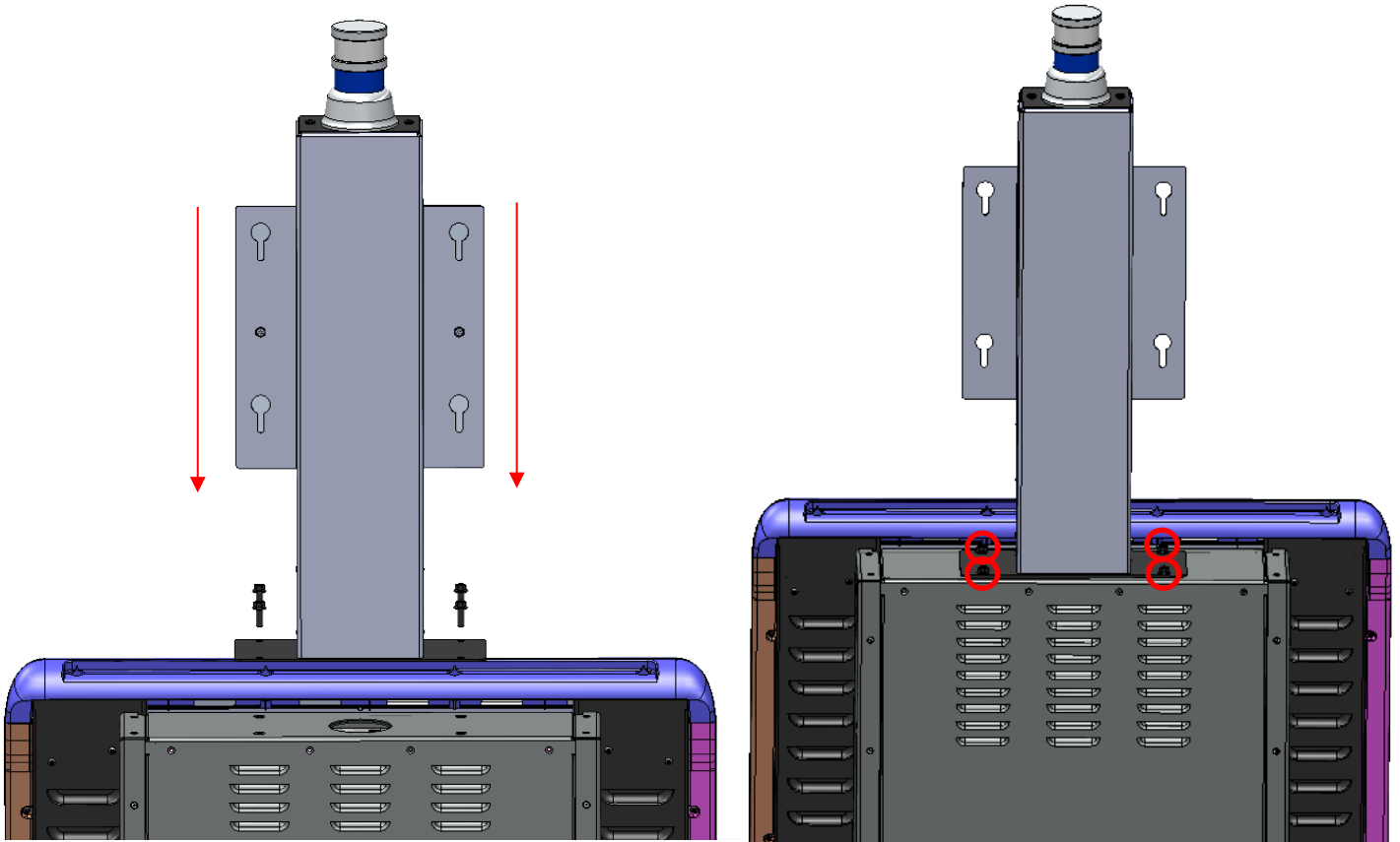
4.4. Remove The Topper Mount



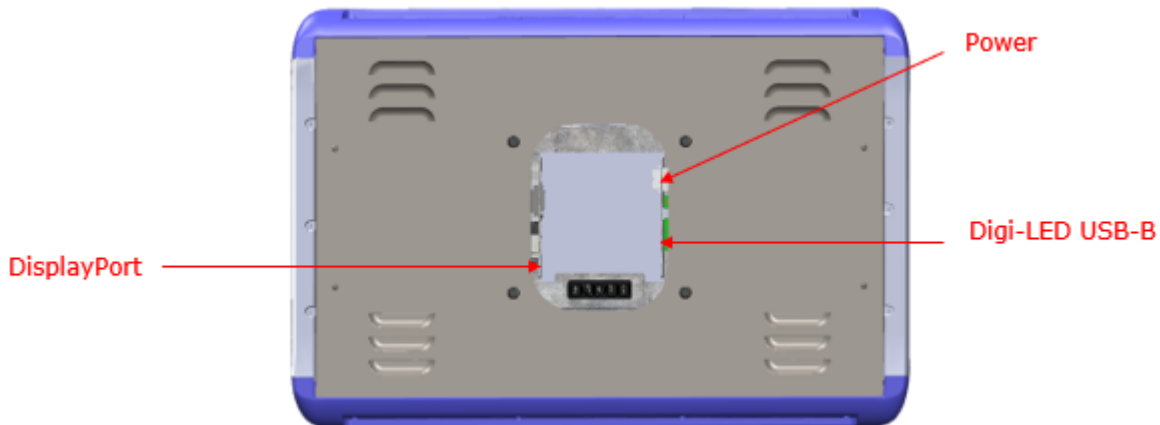
- Disconnect the candlelight harness, remove the four 3/8 bolts holding on the mount, and lift off the mount feeding the topper cables out.
- Removal is complete.

5. Installation

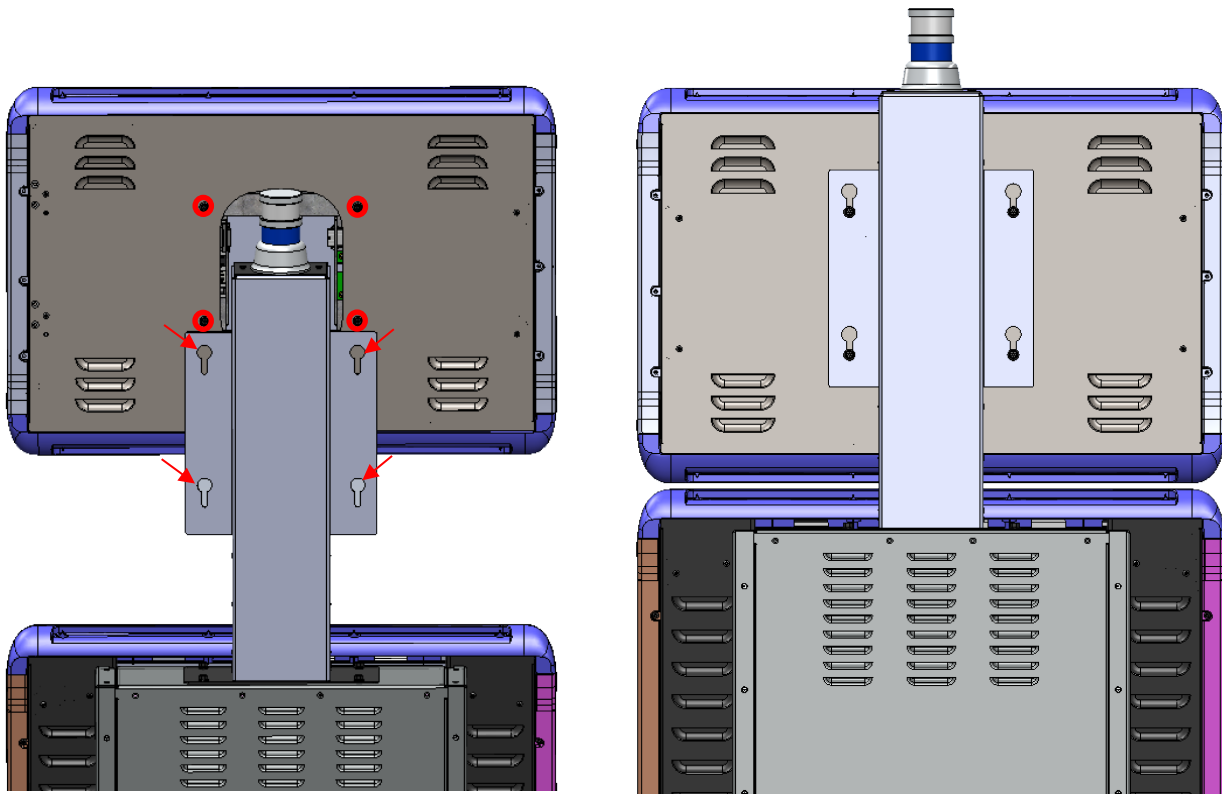
5.1. Install The Topper Mount



- Feed the topper cables through the topper mount, install the four 3/8 bolts, and connect the candlelight harness.



5.2. Install the Topper



- Make sure four 3/8 bolts are installed in the topper and loose enough to hang onto the topper mount.
- Lift the topper up and connect the DisplayPort cable, Power harness, and Digi USB-B cables. (make sure the USB-B is plugged into the same side as the power harness).
- Hang the topper onto the topper mount using the four 3/8 bolts.
- Tighten the four 3/8 bolts to secure the topper.
- Installation is now complete.



Contact Us

If you have any question, comment or feedback, please use the contact details provided below.

Main office

6355 W Maule Ave Suite 120

Las Vegas, NV 89118

United States

Phone : 1-800-720-5155

General inquiries : info@bluberi.com



© 2024 Bluberi Gaming Canada Inc.

All rights reserved. No part of this document may be reproduced, in any form or by any means, without prior written authorization from Bluberi Gaming Canada Inc.

The information contained in this document represents the current view of Bluberi on the issues discussed as of the date of publication. Because Bluberi must respond to changing market conditions, the comprised information should not be interpreted as a commitment on the part of Bluberi, and Bluberi does not guarantee the accuracy of any presented information.

This document is for informational purposes only. BLUBERI MAKES NO WARRANTIES, EXPRESSED OR IMPLIED, IN THIS DOCUMENT.

Other product and company names mentioned herein may be the trademarks of their respective owners.